

ELMARK[®]

The Brand of Electricity

GARDEN WALL LAMP E27



GENERAL INFORMATION »

- ∴ Voltage: 220-240V AC
- ∴ Lamp holder: E27
- ∴ Body material: Metal
- ∴ Diffuser: Glass
- ∴ Colour body: White; Black
- ∴ Type of Installation: Surface mounting on a wall
- ∴ Protection against dust and moisture: IP44

FEATURES »

- ∴ Traditional Garden Lamps designed to fit the modern-day requirements
- ∴ Environmentally friendly - no mercury and lead
- ∴ No ultraviolet and infrared rays
- ∴ Resistant to shock and vibration stable body
- ∴ Easy Installation

AREA OF APPLICATION »

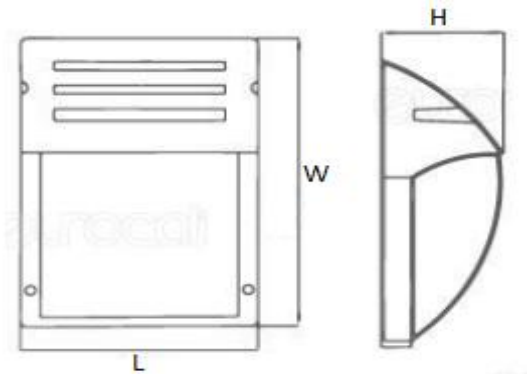
- ∴ Suitable for outdoor use
- ∴ Additional, aesthetic, directional, architectural lighting for buildings, facades, fences' columns and other outdoor sites

TECHNICAL SPECIFICATION SHEET

PRODUCT DETAILS »

Catalogue number	Description	Colour	Lamp holder
95WL001/BL	Wall lamp	Black	1 x E27
95WL001/WH	Wall lamp	White	1 x E27

DIMENSIONS »



Catalogue number	Width (mm)	Length (mm)	Height (mm)
95WL001/BL	245	180	100
95WL001/WH	245	180	100

ADDITIONAL INFORMATION »



Catalogue number	Barcode	Packing/Box (pcs)
95WL001/BL	3800131217202	1/10
95WL001/WH	3800131217196	1/10

